



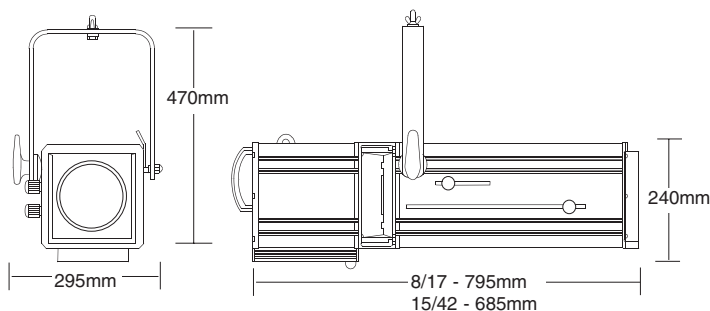
OPTIQUE

Condenser profile spotlights 1200W

Features

The condenser optics design of Optique produces clean even beams for precise projection of sharp images such as shutter edges and gobos and provides an excellent alternative to the Cantata profile spots.

- Range comprises two variable beam angle profile spots covering beam angles between 8° to 42°
- All models feature drop down lamp tray for easy lamp access and condenser cleaning
- Mains supply isolated when lampray opened
- Fully rotatable gate assembly
- Durable construction of pressure die cast and extruded aluminium



Weights and Dimensions

	Optique 8/17	Optique 15/42
Weight	12.8kg	12.6kg
Packed Weight	15.9kg	15.4kg
Packed Volume	0.15m ³	0.13m ³

Mechanical/Electrical Data

Construction

Pressure die cast front and rear panels, pressed steel gate bulkhead panels with extruded aluminium side panels and mild steel infill panels all finished in black epoxy powder coating.

Gate/Lenstube

Fully rotatable gate assembly housing four removable beam shaping shutters and runners for gobo holder or iris in pressure die cast aluminium held between pressed steel bulkhead plates.

Lenses

Lamphouse: Heat treated aspheric condenser lens

Lenstube: Heat resistant borosilicate lenses with selective anti reflective coatings housed in die cast carriers on sliders running in extruded slots in lenstube side panels.

Lampholder

GX9.5 to take lamps of 67 mm LCL (55 mm in alternative lampholder location) and maximum of 1200W

Supply Voltage

230V +/- 10% 50/60 Hz

Standards compliance

Designed to comply with EN 60 598 2-17

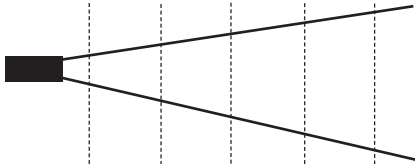


Photometric data

Typical performance based on laboratory readings using CP90 1200W lamp

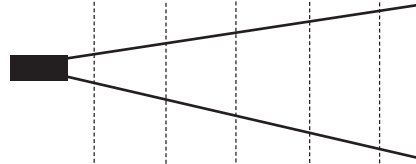
Optique 8/17 Narrow (8°)

Distance (m)	10	12.5	15	17.5	20
Beam Ø (m)	1.4	1.75	2.1	2.45	2.8
Illum (lux)	3550	2272	1580	1160	890



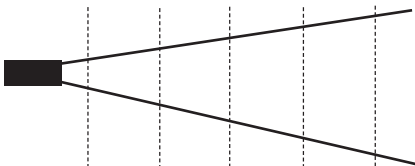
Optique 8/17 Wide (17°)

Distance (m)	10	12.5	15	17.5	20
Beam Ø (m)	1.4	1.75	2.1	2.45	2.8
Illum (lux)	960	615	425	315	240



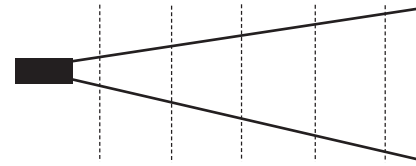
Optique 15/42 Narrow (15°)

Distance (m)	10	12.5	15	17.5	20
Beam Ø (m)	2.0	2.6	3.3	3.9	5.3
Illum (lux)	1955	1100	705	490	360



Optique 15/42 Wide (42°)

Distance (m)	10	12.5	15	17.5	20
Beam Ø (m)	5.8	7.7	9.6	11.5	13.4
Illum (lux)	425	240	155	155	80



To calculate lux levels at any throw distance divide the following factors by the distance²:

	Optique 8/17	Optique 15/42
Narrow	355000	110000
Wide	96000	24000

To calculate beam diameters at any throw distance multiply the throw in metres by:

	Optique 8/17	Optique 15/42
Narrow	0.14	0.26
Wide	0.3	0.77

Operational Data

Lamp Access

Through drop down lamp tray secured by quarter turn fastener. Lamp tray can only be opened after removal of power connector ensuring full electrical isolation.

Focus Adjustment

By locking screw handles on side of lens tubes with focus setting indication provided

Accessories

Colour runners take DIN standard 185 x 185mm colour frames
Gobo size: M

Ordering information

Optique spotlights are supplied complete with 1.5m of detachable cable with IEC 320 appliance connector and fitted plug, metal colour frame and CP90 1200W lamp.

Cat No Description

12010	Optique 8/17
12020	Optique 15/42

Optional accessories and lamps

18100	Gobo Holder for "M" size gobos
18103	Iris, 18-leaf
18104	Additional colour frame, metal
82010	Hook Clamp
82000	Safety cable, light duty (up to 16kg)

Strand Lighting Ltd

Unit 3 Hammersmith Studios, Yeldham Road,
Hammersmith, London W6 8JF United Kingdom
Tel: +44 (020) 8735 9790
Fax +44 (020) 8735 9799

Strand Lighting GmbH

Ullsteinstrasse 114-142 D-12109
Berlin, Germany
Tel: +49 (0) 30/70 79 51 0
Fax: +49 (0) 30/70 79 519 9

Strand Lighting Italia srl

Via delle Gardenie 33 00040
Pomezia-Roma, Italy
Tel: +39 06 919631
Fax: +39 06 9147136

Strand Lighting Asia

20/F Delta House, 3 On Yiu Street
Shatin, N.T. Hong Kong
Tel: (852) 2757 3033
Fax: (852) 2757 1767



The Company reserves the right to make any variation in design or construction to the equipment described.
© Strand Lighting Ltd. 2002
Strand™, Strand Lighting™, Strand Quartzcolor™ are trademarks of Strand Lighting Limited and Strand Lighting Inc.